

Washer extractor

W5180N

Features and benefits

- **Compass Pro[®] microprocessor offers:**
 - Large display and one control knob for easy program selection
 - Language selection
 - Quick selection and option buttons for the most frequently used wash programs and options
 - Wash program packages optimized on Economy, Performance and Time. (Available on general programs)
- Extremely low water and energy consumption – see table below
- Four compartment detergent box for manual dosing of powder or liquid detergent
- High extraction force for efficient dewatering
- Door with gasket and strong hinges built for heavy duty operation
- Stainless and galvanized steel in all vital parts for high degree of rust protection
- SuperBalance guarantees the correct extraction force

Main options

- Automatic liquid detergent supply (optional I/O board)
- Connection to booking- /payment- system or coin meter



Images shown are a representation of the product only and variations may occur.

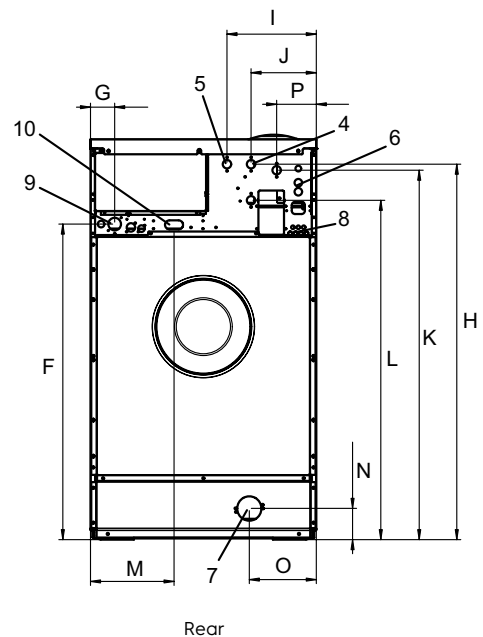
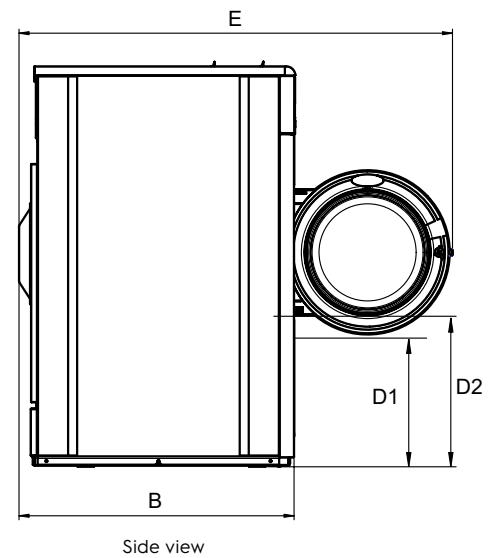
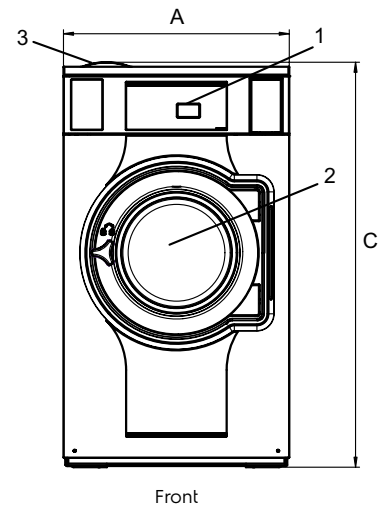
Main specifications				W5180N			
Max. capacity	filling factor 1:9	kg/lb		20/45			
Drum,	volume	litre		180			
	diameter	ø mm		650			
Extraction		rpm		525			
G-factor				100			
Standard heating alternatives		electricity	kW	13.0			
		steam		x			
		non-heated		x			
Consumption data "Normal 60°C"				EI		Steam**	
Economy*				Full load, 20 kg	Half load, 10 kg	Full load, 20 kg	Half load, 10 kg
Total time		min		50	47	50	47
Water consumption (cold+hot)		litre		124+31	101+21	155+0	122+0
Energy consumption (motor/heating/hot water)		kWh		0.25/0.9/2.0	0.25/0.6/1.35	0.25/-	0.25/-
Steam consumption		kg		-	-	4.35	2.9
Residual moisture		%		69	78	69	78
* Water temperature 15°C cold water and 65°C hot water.							
** Depending on steam pressure.							

Produced according to ISO 9001 and ISO 14001.

Certified with CB certificate for Low Voltage Directive and S-mark according to the Machinery Directive. Protection class IP X4D.

Electrical connections					
Heating alternative	Main voltage		Heating power kW	Total power kW	Recommended fuse A
		Hz			
Electric heated	220-240V 1 -	50/60	4.8/13.0	5.3/13.5	25/63
	220-240V 3 -	50/60	4.8/13.0	5.3/13.5	16/35
	380-415V 3N -	50/60	4.8/13.0	5.3/13.5	10/25
	440V 3 -	60	13.0	13.5	20
	480V 3 -	60	13.0	13.5	20
Steam or Non heated	220-480V 1 -	50/60	-	1.0	10

Water and steam connection		W5180N
Water valves	DN	20
Water pressure	kPa	200-600
Capacity at 300 kPa	l/min	30
Drain valve	ø mm	75
Draining capacity	l/min	170
Steam valve	DN	15
Steam pressure	kPa	300-600
Liquid detergent supplies		5
Floor requirements		
Frequency of the dynamic force	Hz	8.8
Floor load at max extraction	kN	2.9 ± 3.9
Sound levels		
Sound power/pressure level at extraction*	dB(A)	70/55
Sound power/pressure level at wash*	dB(A)	67/52
Heat emission		
% of installed power, max		5
Shipping data**		
Weight	net, kg	207
Shipping volume	m ³	1.26
Accessories		
Steel base		x
Hose kits for water or steam		x
Fluff collector		x
Dimensions in mm		
A Width		750
B Depth		914
C Height		1345
D1		439
D2		500
E		1440
F		1048
G		80
H		1247
I		297
J		217
K		1227
L		1127
M		278
N		104
O		223
P		132
1 Operating panel	7 Drain	
2 Door opening ø 395 mm	8 Liquid detergent supply	
3 Detergent box	9 Electrical connection	
4 Cold water	10 Steam connection	
5 Hot water		
6 Re-used water		



Front and side panels in light grey and blue (RAL 260 70 05, 250 60 30)

* Sound power levels measured according to ISO 60704.

** Average data. Crated weight/shipping volume depends on configuration. Please contact logistics for exact measures.